

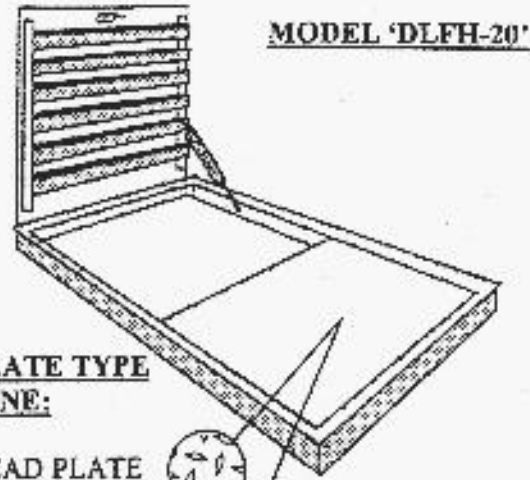
ALUMINUM FLOOR HATCH
H-20 Rated

SPECIFICATIONS: Architectural Specialties, Inc., Floor Access Hatch shall be of type and size specified. The frame is 1/4" extruded aluminum with mitered corners welded by the heliarc method. The double or single lid door will be 1/4" aluminum diamond plate or flat plate as specified with minimum 7" cross member brace supports conforming to AASHTO H-20 wheel loads. Steel hinges will be tack welded to frame and allow a smooth opening movement. Operation shall not be effected by temperature. Door(s) will lock open to 90 degree with compression rod operator(s). All double lids will be equipped with a removable safety chain on both sides of the opening. An interior handle will allow for closing and an exterior handle, type 52-C, removable steel slamming extension lock will be provided. Aluminum will be mill finish and hardware will be stainless steel. Installation will be in accordance with manufacturer's installation instructions.

SPECIAL NOTE: These units are designed to withstand H-20 wheel loads. Not for high density traffic. Includes a 5 year warranty against defects in material and/or workmanship.

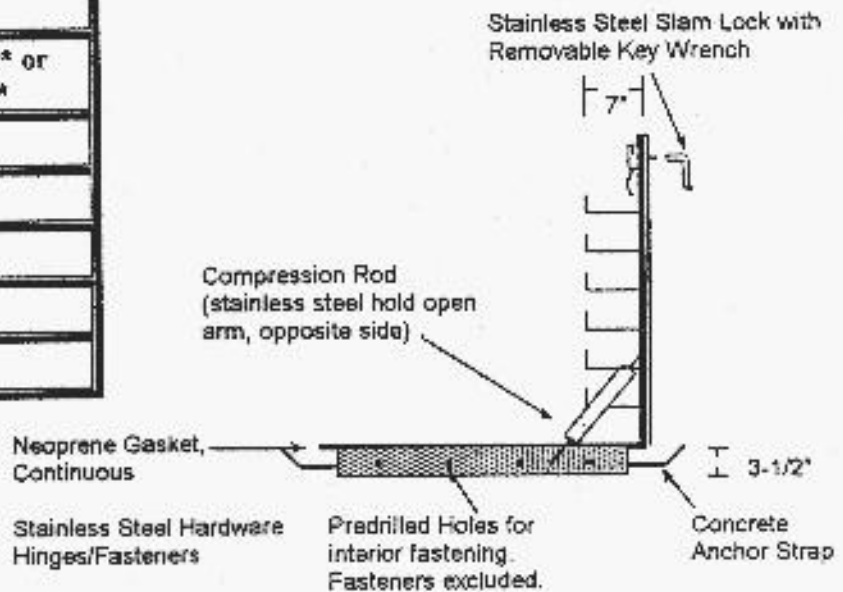
FILL IN		
QUANT.	SIZE (Rough Opening)	DLFH* or SLFH*
	24" X 24"	
	30" X 30"	
	36" X 36"	
	48" X 48"	
	60" X 60"	

* DLFH = Double Lid Floor Hatch
* SLFH = Single Lid Floor Hatch



ALUM. PLATE TYPE
CHECK ONE:

- TREAD PLATE
- FLAT PLATE



Contractor:	Project Name:
Architect:	Project Address:
Distributor:	City / State: