

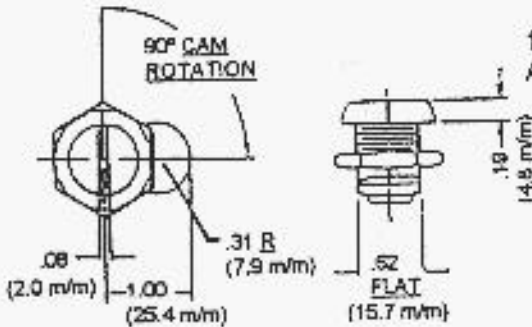
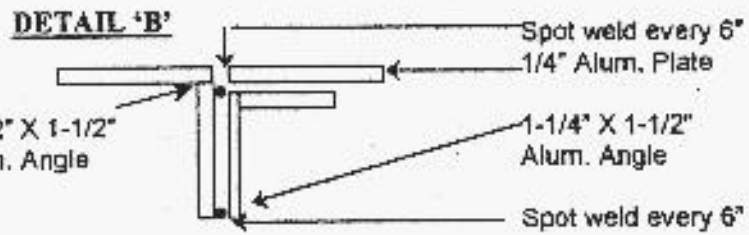
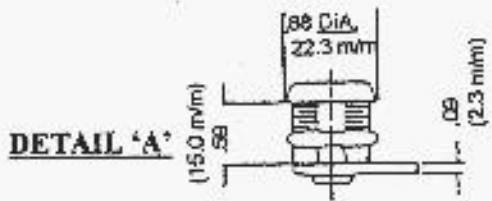
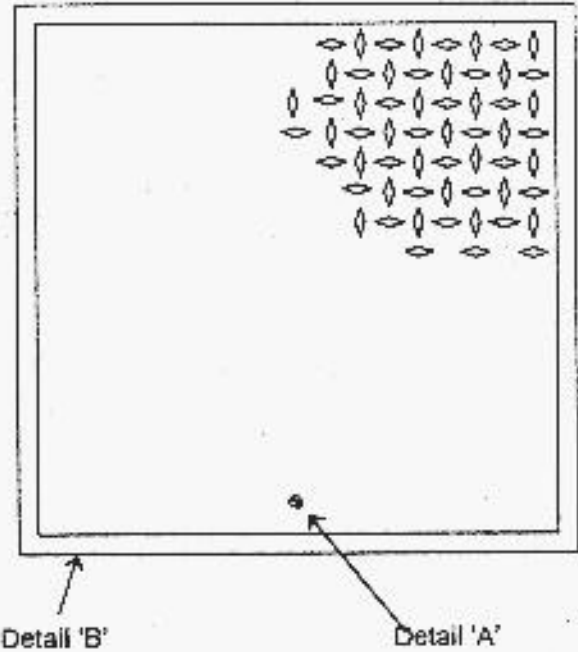


**Architectural
Specialties, Inc.**

P.O. Box 22325 (503) 232-2966
Portland, OR 97269 FAX 232-4028

FLOOR ACCESS PANEL Non-Fire Rated / Aluminum Tread Plate

SPECIFICATIONS:		3/16"
Aluminum angle frame welded by heliarc method at all corners. Lid is 1/4" thick aluminum diamond pattern tread plate and alloy is 6061-T6.		
FILL IN		
QUANTITY	SIZE (Rough Opening)	



Contractor:	Project Name:
Architect:	Project Address:
Distributor:	City / State: