

ALUMINUM FLOOR ACCESS HATCH

SPECIFICATIONS: Architectural Specialties, Inc., Floor Access Hatch shall be type and size specified. The frame is 1/4" extruded aluminum with mitered corners welded by the heliarc method. The double or single lid door will be 1/4" aluminum diamond plate or flat aluminum as specified, to withstand a 150 lb. per sq. ft. live load with a maximum allowable deflection of 1/150th. Steel hinges will be tack welded to frame and allow a smooth opening movement. Operation shall not be affected by temperature. Door(s) will lock open to 90 degrees with a compression rod operator. All double lids will be equipped with a removable safety chain on both sides of the opening. An interior handle will allow for closing and an exterior handle, type 52-C, removable steel slamming extension lock will be provided. Aluminum will be mill finish and hardware will be zinc plated. Installation will be in accordance with manufacturer's installation instructions. Includes a five-year warranty against defects in material and/or workmanship.

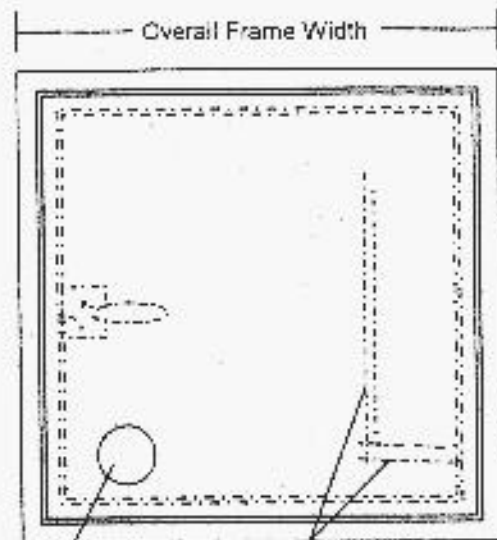
FILL IN

QUANT.	SIZE (Rough Opening)	DLFH* or SLFH*
	24" X 24"	
	30" X 30"	
	36" X 36"	
	48" X 48"	
	60" X 60"	

- * DLFH = Double Lid Floor Hatch
- * SLFH = Single Lid Floor Hatch



****INDICATE DRAIN COUPLING:**

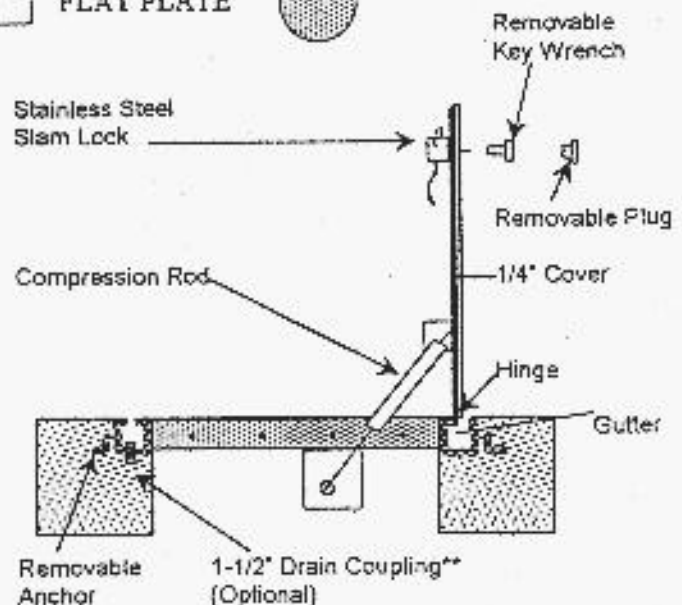
YES NO



Quantity of compression rods and stiffeners vary depending on size.

**ALUM. PLATE TYPE
CHECK ONE:**

- TREAD PLATE 
- FLAT PLATE 



Contractor:	Project Name:
Architect:	Project Address:
Distributor:	City / State: