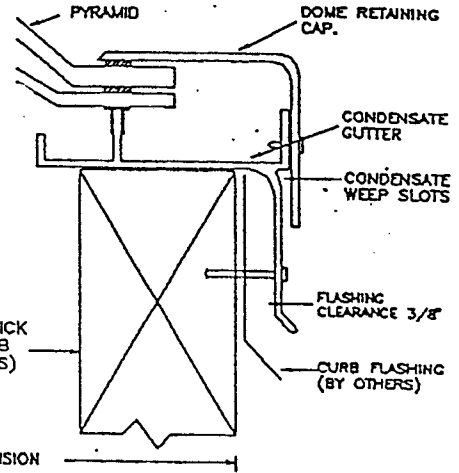


ACRYLIC PYRAMID

(Curb Mount)

SPECIFICATIONS: Architectural Specialties Inc., skylights are formed to a specified shape from sheets of clear, translucent or tinted type CC2 acrylic plastic. Acrylic domes to conform to AAMA 1601.1-1976 for a design load of 40npsf. Skylight frame and retainer cap shall be 6063-T5 extruded aluminum with minimum wall thickness of .070 inches. The skylight frame shall have an integral condensation gutter, exterior drip and drainage slots. All mitered corners are to be welded by the heliarc process.



FILL IN			
Model	No. of Units	Outer Pyramid	Inner Pyramid

FINISH _____

STANDARD ACRYLIC DOME COLORS

DESIGNATION	COLOR
CL	CLEAR COLORLESS
2447	WHITE TRANSLUSCENT
2412	TRANSPARENT SOLOR BRONZE

SAFETY CONSIDERATIONS: While Architectural Specialties, Inc. skylights are designed to support the weight of snow, ice and the force of normal winds, they are not designed to withstand the weight of people. If human safety becomes a consideration, skylights should be protected by railing, grids or screens.
NOTE: Double glazed skylights are subject to formation of condensation between domes. This may be objectionable when both domes are transparent.
 Minimum recommended pitch is 1/4" in 12".

PROJECT _____

CONTRACTOR _____

ARCHITECT _____

REPRESENTATIVE _____

APPROVED BY _____

DATE _____ S# _____