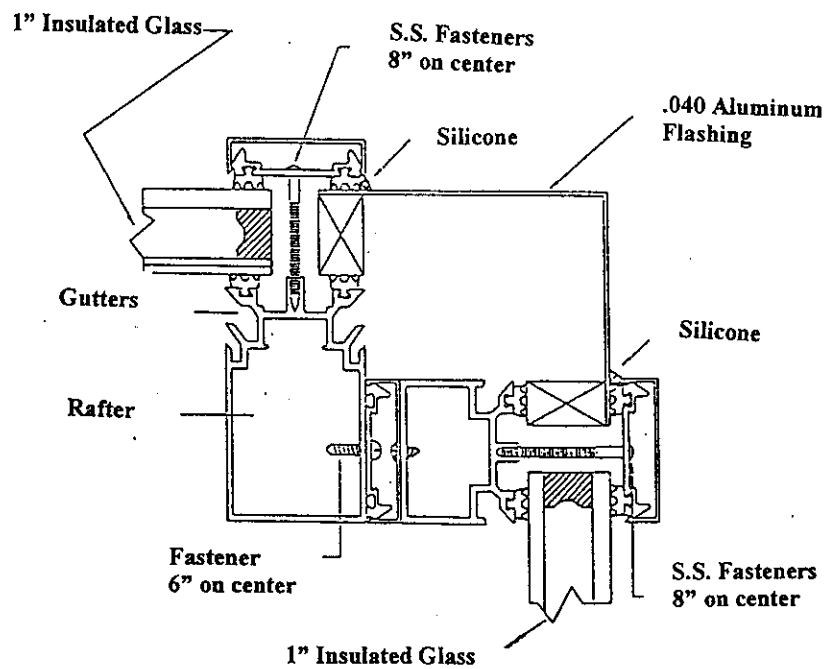
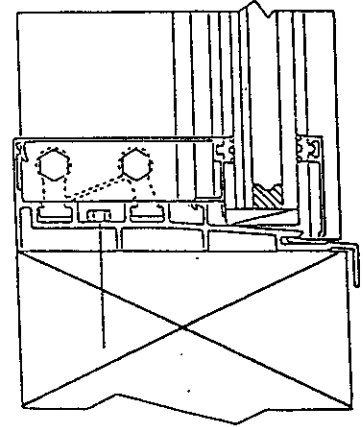


Head Detail #A



Corner Condition #E