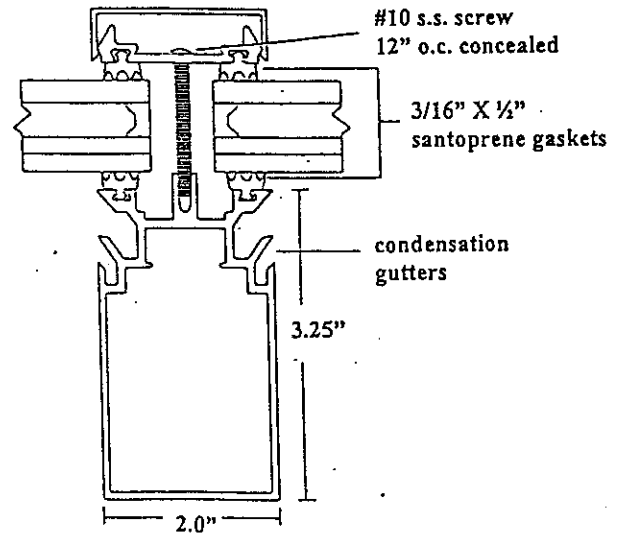
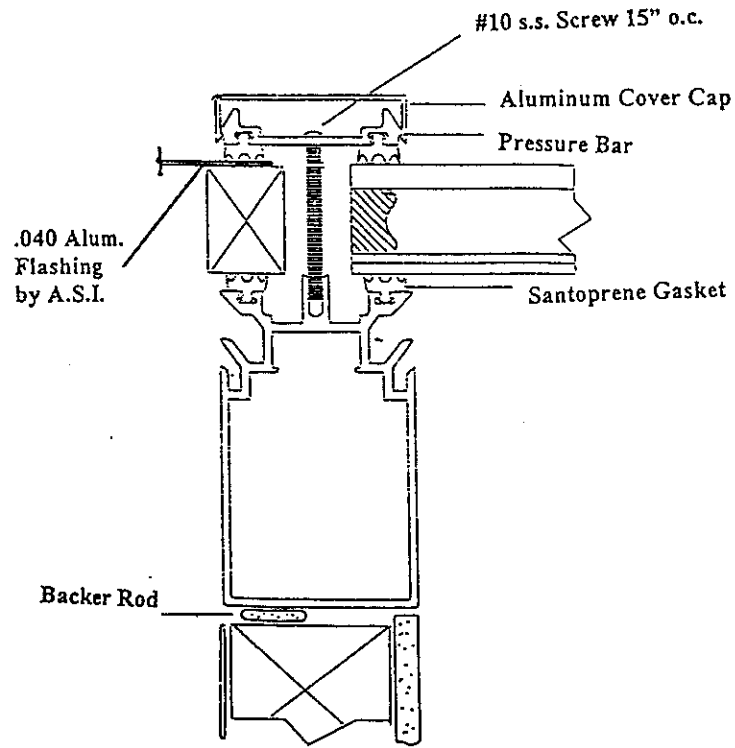


Detail at Knee #C



Rafter #D



End Detail #F

