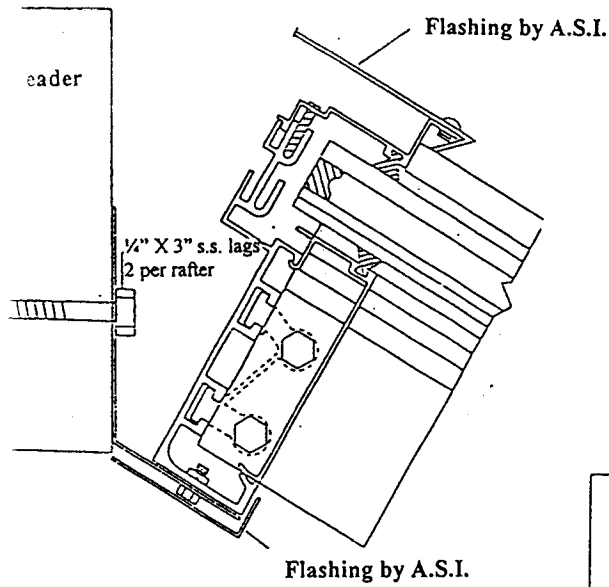
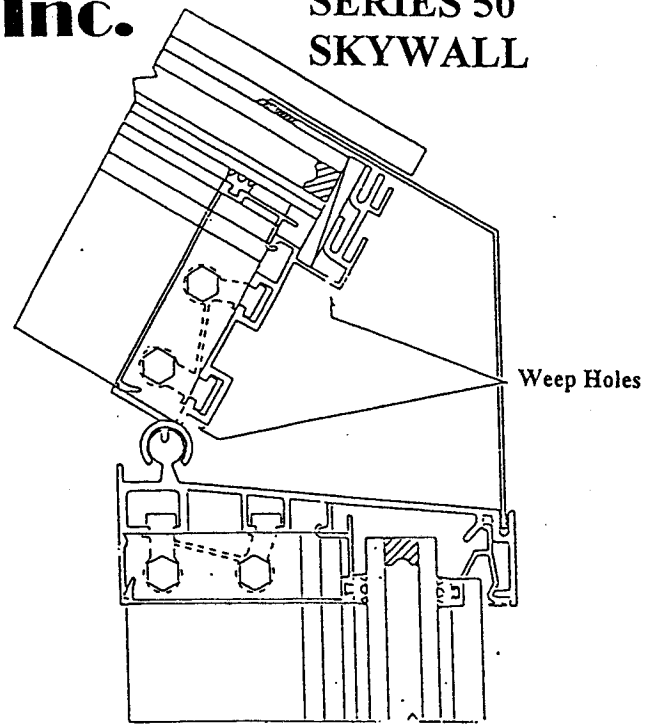


Architectural Specialties, Inc.

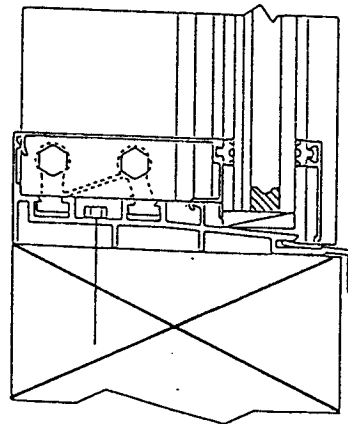
SERIES 50 SKYWALL



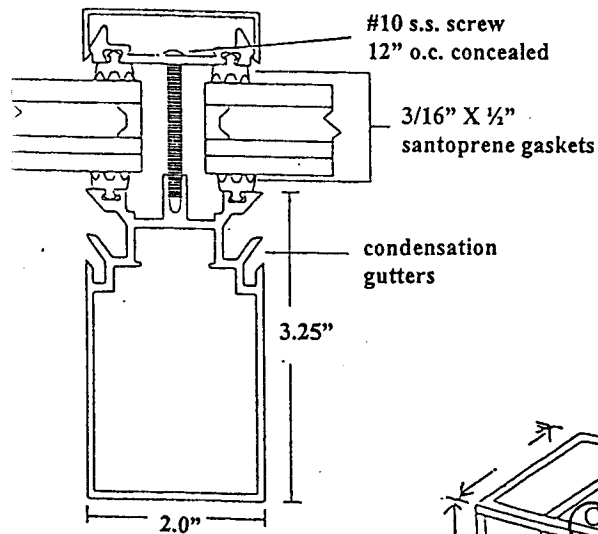
Head Detail #A



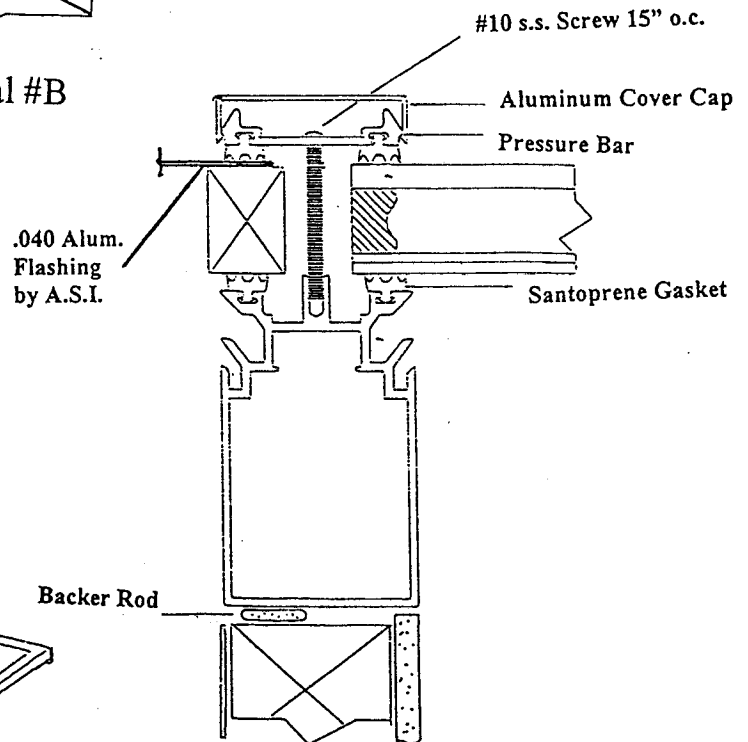
Detail at Knee #C



Sill at Vertical #B



Rafter #D



End Detail #E

