



WWW.ARCHSP.COM

Fixed Glass Skylight

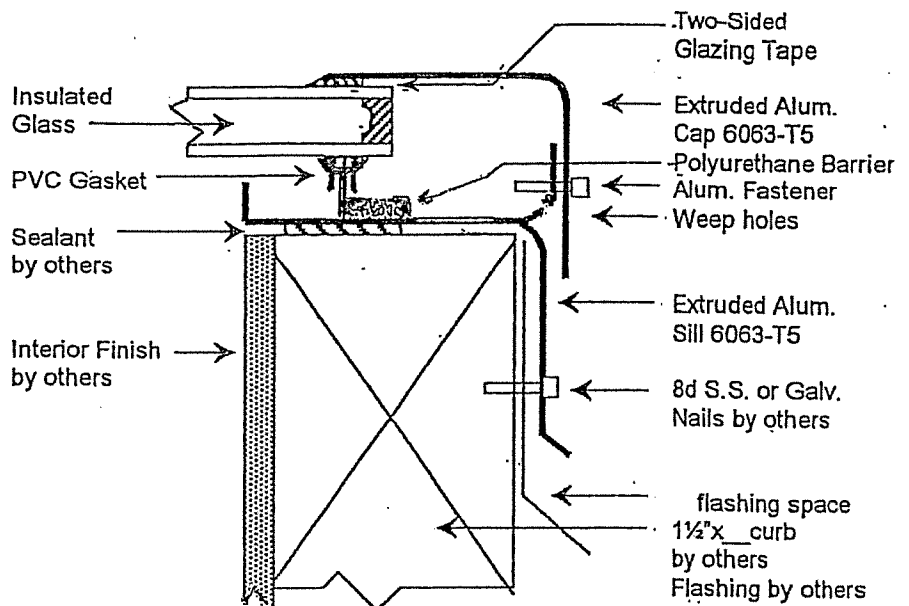
GSL TB SPECIFICATIONS:

ARCHITECTURAL SPECIALTIES, INC. (ASI) skylight frame and retainer cap shall be 6063-T5 extruded aluminum with a minimum wall thickness of .062 inches. The skylight frame shall have an integral condensation gutter and exterior drip/drainage slots. The thermo-break frame has a rigid, continuous extruded polyurethane barrier to help prevent condensation. All mitered corners are welded by the heliarc process.

All glass skylights require a minimum 2:12 pitch installation for our standard five year warranty. Call for warranty information.

ASI is a manufacturer located in Oregon State, USA. We are proud to source local materials and implement recycling standards whenever possible. Buy America and LEED qualification available.

SAFETY CONSIDERATIONS: While Architectural Specialties, Inc. skylights are designed to support the weight of snow, ice and the force of normal winds, they are not designed to withstand the weight of people. If human safety becomes a consideration, skylights should be protected by railing, grids or screens. Call for quote if required.



FILL IN:			
Quantity	Outside Curb	Glazing Type	Frame Finish

Contractor:	Project Name:
Architect:	Project Address:
Supplier:	City/State:



CCB #59161